



Supercardioid Tabletop and Ceiling Microphone Solutions Microphone Base

User's Manual

dpamicrophones.com/mic-base



A d:screet™ SC4098 Supercardioid Podium Microphone mounted in a DM6000 Microphone Base fits equally well on a table, lectern or hung from the ceiling. This microphone solution delivers clean intelligible pick-up of speech / vocals and rejects background noise with its supercardioid directionality. Low noise and a design with internal shockmount that highly dampens unwanted sounds from tables and lecterns, secure a trouble-free installation. The cable can be looped to either the side or rear of the Microphone Base unit.

The solution consists of a d:screet™ SC4098 Supercardioid Podium Microphone with a MicroDot male connector at the end of the gooseneck and a DM6000 Microphone Base unit with a MicroDot female connector as its input.

The solution is available in three different cable versions for easy integration.

MicroDot

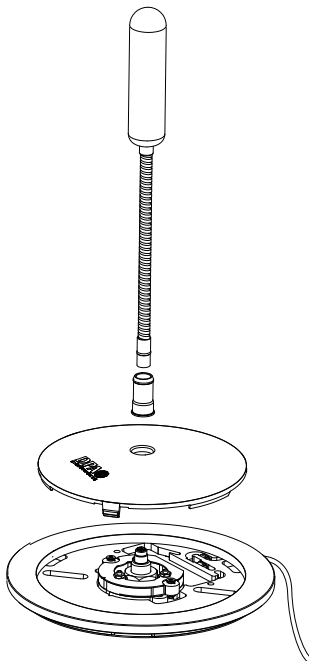
This unbalanced version allows the use of an external adapter to XLR (DAD6001) or a wireless transmitter via the wide range of DPA adapters.

Unterminated

Balanced output with free leads for easy adaption to Phoenix connectors widely used in the installation processors or input nodes.

XLR

Balanced output directly to industry standard connector XLR-3M.



Available in black and white with gooseneck lengths of 16 cm (6 in), 28 cm (11 in), 43 cm (17 in); it is possible to accommodate any need for sleek Scandinavian design and superior audio quality.

A locking ring secures the gooseneck to the base mount for protection and hidden mounting holes in the base make it possible to attach the microphone to either a table, lectern or ceiling. It will cover most electrical backboxes as well.

Installation

The Microphone Base is unpacked and the cover released (Fig. 1) to adjust it to the desired position (three possible) and for access to the mounting holes for permanently affixing to either a table, lectern or ceiling. The cover is released by gently inserting a flathead screwdriver or similar tool into one of the three access points on the side of the unit (Fig. 2).

Fig. 1

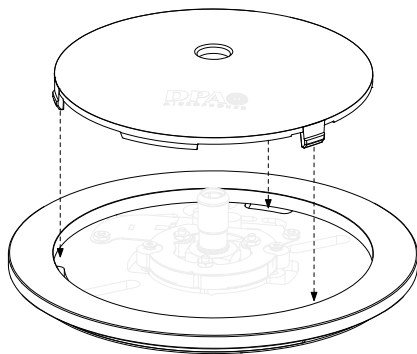
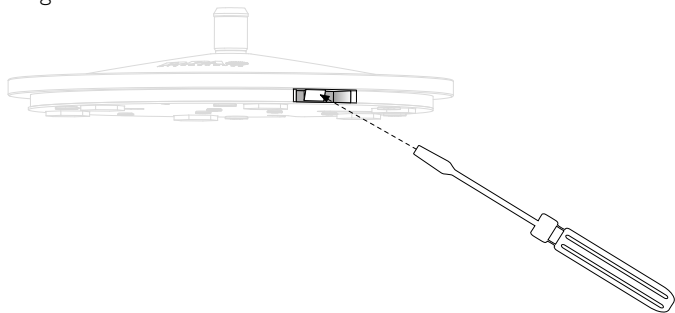


Fig. 2



Remount the cover, attach the gooseneck microphone and screw it onto the Microphone Base (Fig. 3). Then slide down the locking ring and screw it on. (Fig. 4).

Fig. 3

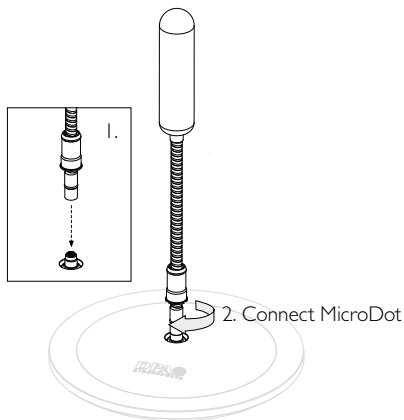
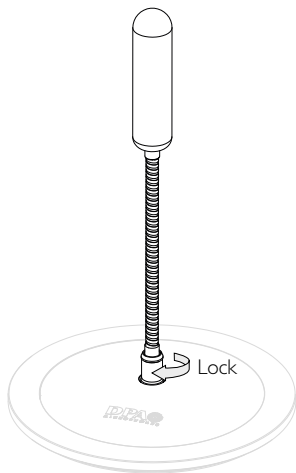


Fig. 4



Specifications

Directional pattern

Supercardioid

Principle of operation

Pressure gradient

Cartridge type

Pre-polarized condenser

Frequency range

20 Hz - 20 kHz

Frequency range, ± 2 dB, 20 cm (7.9 in)

80 Hz - 15 kHz with 3 dB soft boost at 8-15 kHz

Sensitivity, nominal, ± 3 dB at 1 kHz

16 mV/Pa; -36 dB re. 1 V/Pa

Equivalent noise level, A-weighted

Typ. 23 dB(A) re. 20 μ Pa (max. 26 dB(A))

Equivalent noise level, ITU-R BS.468-4

Typ. 35 dB (max. 38 dB)

S/N ratio (A-weighted), re. 1 kHz at 1 Pa (94 dB SPL)

Typ. 71 dB(A)

Total harmonic distortion (THD)

< 1% up to 125 dB SPL peak

Dynamic range

Typ. 102 dB

Max. SPL, peak before clipping

135 dB

Output impedance

From MicroDot: 30 - 40 Ω

From DAD6001 XLR Adapter: 100 Ω

From XLR connector or Unterminated leads: 100 Ω

Minimum load impedance

2 k Ω

Cable drive capability

Up to 300 m (984 ft) with XLR / Unterminated leads or DAD6001 XLR Adapter

Output balance principle

Signal balanced with XLR / Unterminated leads or DAD6001 XLR Adapter

Common mode rejection ratio (CMRR)

> 60 dB from 50 Hz to 15 kHz on XLR / Unterminated leads or DAD6001 XLR Adapter

Power supply (for full performance)

From MicroDot: 5 V

From DAD6001 XLR Adapter: 48 V \pm 4 V (will work from 12V)

From XLR connector or Unterminated leads: 48 V \pm 4 V

(will work from 12 V)

Current consumption

Typ. 3.5 mA on XLR/Unterminated leads or DAD6001 XLR Adapter

Connector

MicroDot, Unterminated leads or XLR-3M

Cable length

1.8 m (71 in)

Color

Black or white

Weight (incl. Base)

16 cm (6 in): 355 g (12.5 oz)

28 cm (11 in): 360 g (12.7 oz)

43 cm (17 in): 368 g (13.0 oz)

Base diameter

110 mm (4.3 in)

Microphone diameter

10 mm (0.4 in)

Capsule diameter

5.4 mm (0.21 in)

Microphone length

16 cm (6 in), 28 cm (11 in), 43 cm (17 in)

Polarity for positive sound pressure

+V at MicroDot pin

Pin 2 on XLR connector

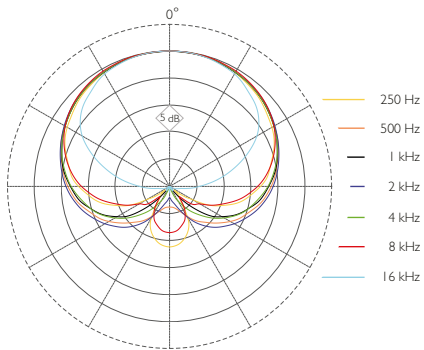
Red lead on Unterminated versions

Temperature range

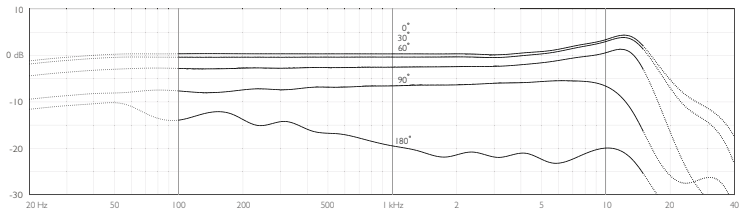
-40°C to 45°C (-40°F to 113°F)

Relative humidity (RH)

Up to 90%



Typical directional characteristics of a dscreet™ SC4098 Supercardioid Podium Microphone



Typical on- and off-axis response of a dscreet™ SC4098 Supercardioid Podium Microphone measured at 20 cm (8 in)

Coverage area

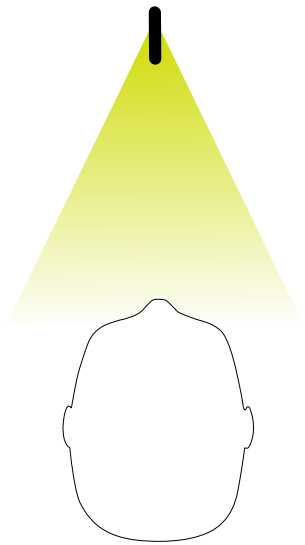
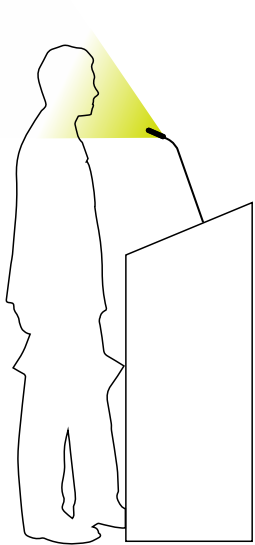


Fig. 5

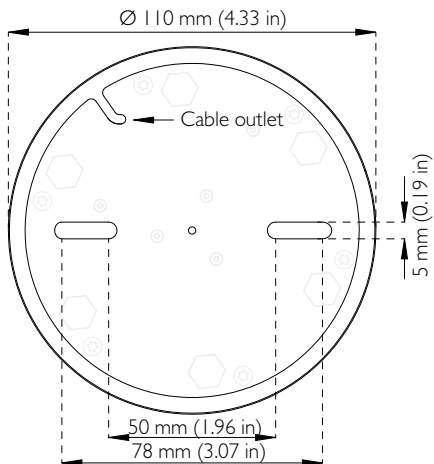


Fig. 6

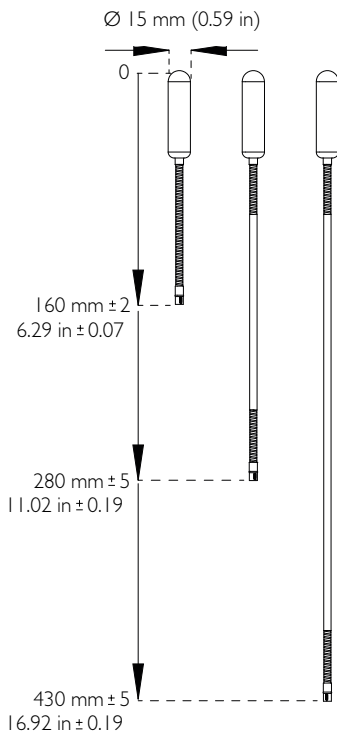
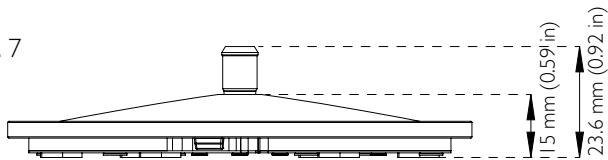


Fig. 7



Optional accessories



DUA0580W & DUA0580B Foam Windscreens



Adapters for wireless applications
dpamicrophones.com/adapters



DAD6001-BC MicroDot to 3 pin XLR adapter
dpamicrophones.com/adapters



To use your previously-purchased d:screet™ SC4098 with the Microphone Base you will need to carefully remove the rubber covering the gooseneck tube so that you can fit and lock the gooseneck into the Microphone Base.





Learn more about DPA products on
dpamicrophones.com

Service & repair

If you are not satisfied with the characteristics exhibited by this product, please go to dpamicrophones.com/service for instructions.

Warranty

Both the discreet™ SC4098 Supercardioid Podium Microphone and the Microphone Base are covered by a two-year limited warranty.

CE marking

This product conforms to all relevant directives approved by the European Commission.